



SOUNDCAST



OUTCAST JUNIOR OWNER'S MANUAL

Thank you for purchasing a Soundcast Systems wireless product. Soundcast products offer the highest quality, interference free wireless audio transmission systems available today.

CAUTION: PLEASE READ THE INSTRUCTIONS GIVEN IN THIS MANUAL AND THOSE MARKED ON THE UNIT. KEEP THESE INSTRUCTIONS FOR FUTURE REFERENCE. PLEASE HEED ALL WARNINGS AND FOLLOW ALL INSTRUCTIONS.

This unit has been designed and manufactured to assure personal safety. Improper use can result in electric shock or fire hazard. The safeguards incorporated in this unit will protect you if you observe the following procedures for installation, use, and servicing. This unit does not contain any parts that can be repaired by the user.

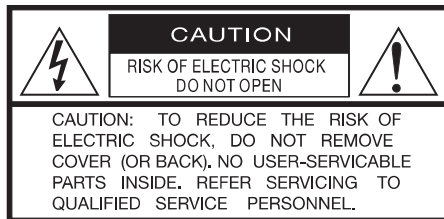
AC/DC ADAPTER POWER SUPPLY

Use only the AC/DC adapter and AC power cord that was supplied by Soundcast Systems. Do not use a substitute AC/DC adapter. Using an incorrect AC/DC adapter may cause damage to the unit and will void its warranty.

IMPORTANT SAFETY INSTRUCTIONS

- 1) Read the instructions.
- 2) Heed all warnings.
- 3) Follow all instructions.
- 4) **Do not use this unit in water. The Outcast Junior is weather resistant, not water proof. It is recommended to have the unit outdoors only while in use. It should be stored indoors when not in use.**
- 5) When using the unit outdoors it is recommended to operate on battery power only. The AC/DC power supply is designed for indoor applications only.
- 6) Clean only with a dry cloth.
- 7) Do not block any ventilation openings. Install in accordance with the manufacturers instructions.
- 8) Do not install near any heat sources such as radiators, heat registers, stoves, or other devices (including amplifiers) that produce heat.
- 9) Do not defeat the safety purpose of the polarized or grounding-type plug. A polarized plug has two blades with one wider than the other. A grounding-type plug has two blades and a third grounding prong. The wide blade or grounding prong is provided for your safety. If the provided plug does not fit your outlet, consult an electrician for replacement of the obsolete outlet. - This applies to 110 volt markets only.
- 10) Protect the power cord from being walked on or pinched particularly at the plugs, convenience receptacles, and the point where it exits the unit.
- 11) Only use attachments/accessories specified by the manufacturer.
- 12) Refer all servicing to qualified service personal. Servicing is required when the unit has been damaged in any way, such as the power supply cord or plug is damaged, liquid has been spilled or objects have fallen into the unit, the power supply has been exposed to rain or moisture, does not operate, or has been dropped.

SAFETY PRECAUTIONS



The lightning flash with arrowhead symbol, within an equilateral triangle, is intended to alert the user to the presence of un-insulated "dangerous voltage" within the product's enclosure that may be of sufficient magnitude to constitute a risk of electric shock to persons.



The exclamation point within an equilateral triangle is intended to alert the user to the presence of important operating and maintenance (servicing) instructions in the literature accompanying the appliance.

WARNING:

TO REDUCE THE RISK OF FIRE OR ELECTRIC SHOCK, DO NOT EXPOSE THIS APPLIANCE TO RAIN OR MOISTURE. DANGEROUS HIGH VOLTAGES ARE PRESENT INSIDE THE ENCLOSURE. DO NOT OPEN THE CABINET. REFER SERVICING TO QUALIFIED PERSONNEL ONLY.

CAUTION:

When replacing the direct plug-in power supply or separable, cord connected power supply, the replacement must be an exact duplicate, or one recommended by the manufacturer.

TO PREVENT ELECTRIC SHOCK, MATCH THE WIDE BLADE OF THE PLUG TO THE WIDE SLOT, AND FULLY INSERT. - 110 volt markets only.

The Outcast Junior uses a 12 volt Nickel Metal Hydride rechargeable battery for DC operation. Please review the following safety instructions before use. Please note that the battery must be charged prior to its initial use.

Ni-MH BATTERIES SAFETY INSTRUCTIONS

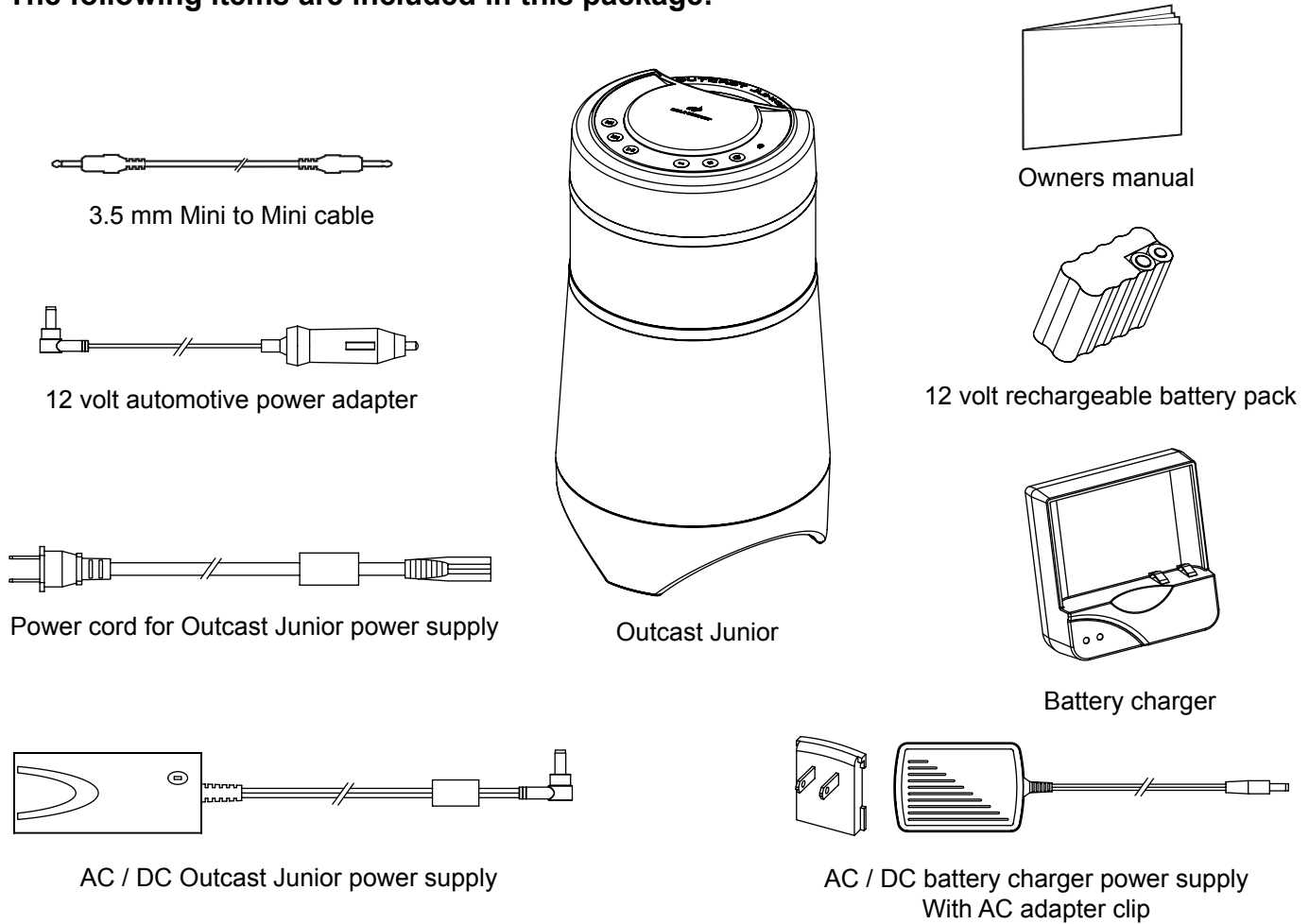
Misuse can result in the battery short circuiting, the insulator melting, and damage to the safety mechanisms, leading to leakage, heat generation, or rupturing.

Please observe the following precautions when using the battery.

- Do not dispose in fire or expose to high temperature.
- Do not under any circumstances insert the battery with the positive and negative poles reversed.
- If the connection with the charger does not operate correctly, do not force the battery in, but instead check the direction of the positive and negative poles.
- Do not directly connect the battery to power outlets or 12 volt automotive ports.
- Do not connect the positive terminal with the negative terminal with metals such as wire, etc. Also, do not store or carry the battery with metal necklaces, etc.
- Do not disassemble or modify the battery.
- Do not directly solder the battery.
- In charging, use only the charger provided with the unit.
- The battery is constructed to release internal gases. For this reason, do not alter the (+) terminal.
- The battery contains an alkaline liquid. If this liquid comes in contact with the eyes, this may lead to loss of sight. Without rubbing the eyes, immediately flush them with clean water and consult a doctor.
- Do not use the battery if it shows signs of any leakage, a change of color or shape, or any other changes in appearance.
- Do not wet the battery or place it in water or sea water. This may lead to the battery generating heat or rusting.
- Do not remove or damage the coating tube. This makes it easy for the battery to short-circuit and may cause leakage or heat generation.
- Store the battery out of reach of small children.
- If the battery is rusted, generating heat, or shows any other abnormal signs at the time of purchase, take it to the point of purchase without using it.
- When not using the battery, or not using the unit for a prolonged period, remove the battery from the unit and store it in a dry place between the temperatures of -20 degrees C (-4 degrees F) and +35 degrees C (95 degrees F). This prevents leakage, rust, and decreased battery performance and service life.
- Do not apply a strong force to the battery or throw it. This may cause leakage or heat generation.
- Do not place the battery in direct sunlight, in hot cars, in front of stoves or other hot places. This may lead to leakage, and may deteriorate the performance and service life of the battery.

Should you have any additional questions concerning the installation or use of your Soundcast Products, please contact Soundcast via E-mail at: **customersupport@soundcastsystems.com**

The following items are included in this package:



Note: In some models the transmitter is supplied with the Outcast Junior. If your unit is supplied with a transmitter please refer to the separate transmitter manual for proper setup and use of transmitter accessories.

Powering Outcast Junior

The Outcast Junior will operate using 3 different power sources.

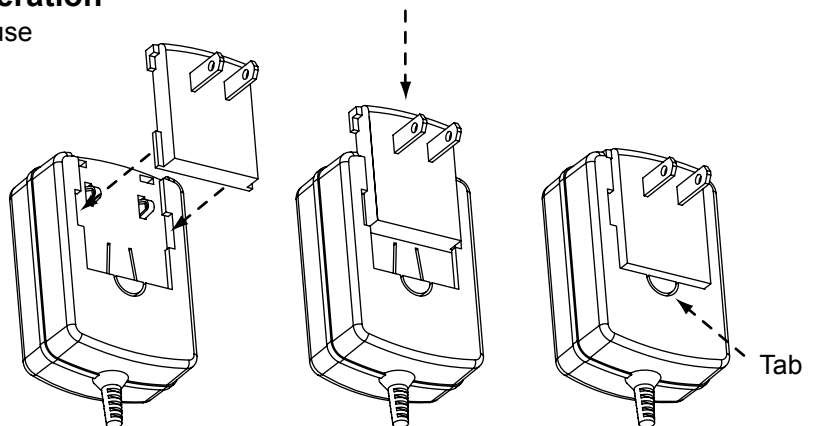
1. 12 volt rechargeable battery
2. AC / DC power supply
3. 12 volt automotive power

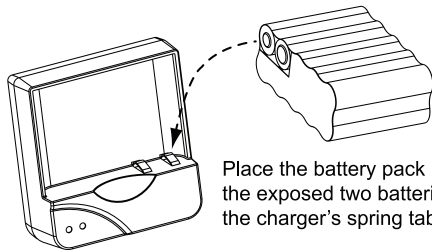
Charging of the battery and battery operation

Note: The battery must be charged prior to initial use

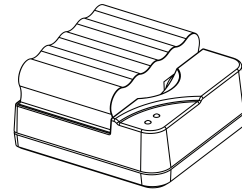
Plug AC clip into AC / DC adapter as indicated.

1. Insert the AC clip onto the charger making sure the two tabs align with the two slots as shown
2. Slide the AC clip down until it snaps into place with an audible click
3. To remove the AC clip press down on the release tab





Place the battery pack into the charger so that the exposed two batteries make contact with the charger's spring tabs



Make sure the base is placed on a flat surface while the batteries charge

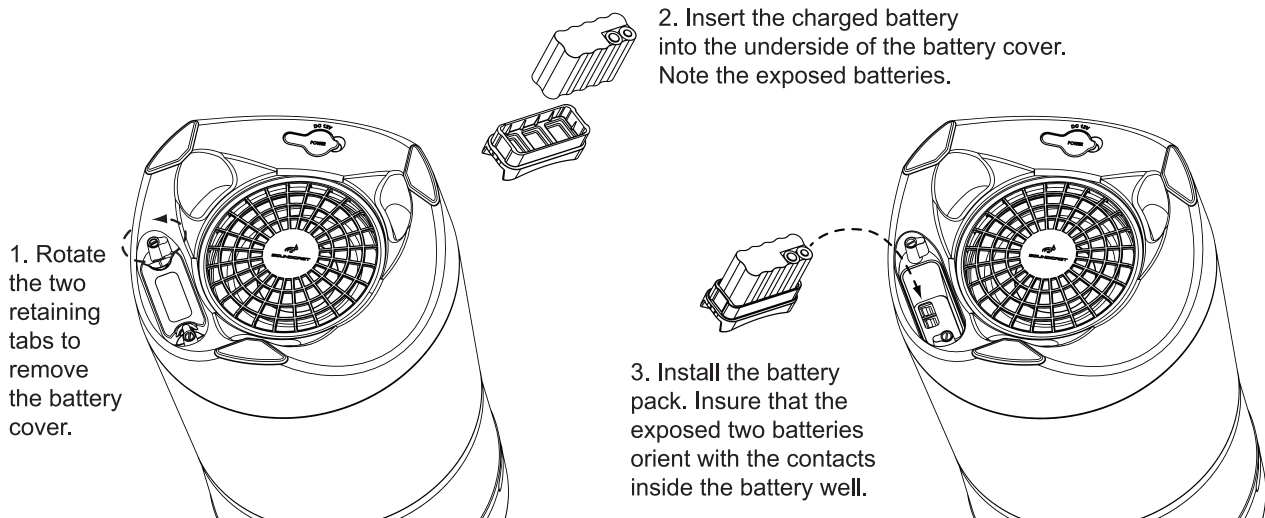
- Plug DC connector into charger.
- Plug AC power supply into wall outlet.
- Insert the battery into charger.
- There are two lights on the battery charger. (Red and Green)
- When no battery is inserted into the charger no lights will illuminate.
- Once battery is inserted in the charger the red light will illuminate to indicate it is charging.
- Once the battery is fully charged, the red light will go out and the green light will illuminate. This means the battery is ready for use and is fully charged. Typical charge time is 6 to 8 hours.

Caution : Flashing lights

- If the red light and green light are alternating – flashing red, green, red, green: continuously, this indicates a fault condition with the battery. Try reseating the battery in the charger. If it does not return to normal operation, contact Soundcast Customer Support.

Battery operation

- To insert the fully charged battery into the Outcast Junior, turn the unit on its side.
- Rotate the two retaining tabs and remove the battery cover as shown below.
- Insert battery into rubber holder inside battery cover. Make sure battery contacts are in correct orientation to line up with contacts inside Outcast Junior's battery compartment.
- Insert battery and battery cover into Outcast Junior. Return retaining tabs to the locked position.
- The unit is now ready to operate in battery mode.



1. Rotate the two retaining tabs to remove the battery cover.

2. Insert the charged battery into the underside of the battery cover. Note the exposed batteries.

3. Install the battery pack. Insure that the exposed two batteries orient with the contacts inside the battery well.

Battery saver feature

The Outcast Junior will operate in two different power level modes depending on where you set the volume level. This will allow the unit to maximize battery life during lower listening levels and allow increased power for higher listening levels. In battery saver mode the unit will operate up to 18 hours on a single charge. At higher levels the battery life will be between 4 to 7 hours on a single charge.

On the initial startup the unit will be in battery saver mode. When increasing the volume you will see that at a certain level the green power LED and/or blue sync LED will begin to flash green, blue green, and blue in rapid succession. This indicates that you have exceeded the level for power saver mode and are now in high power mode. To return to power saver mode simply decrease the volume level until the flashing stops. The LED will only flash while adjusting volume levels and will return to its normal state after a few seconds. When using either the AC adapter or 12 volt automotive adapter the LED flashing only denotes you have entered higher power levels.

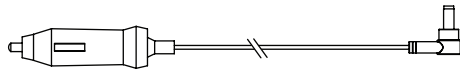
Note: Outcast Junior will remember the current volume level after you power off. The last level will be present when you power back on.

AC / DC operation (recommended for indoors only)

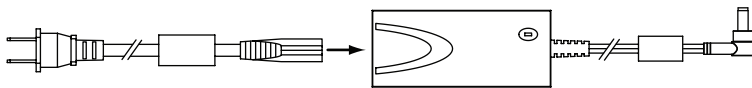
- Plug AC power cord into power supply.
- Plug DC connector from power supply into Outcast Junior.
- Plug AC power cord into wall outlet.

12 volt automotive power

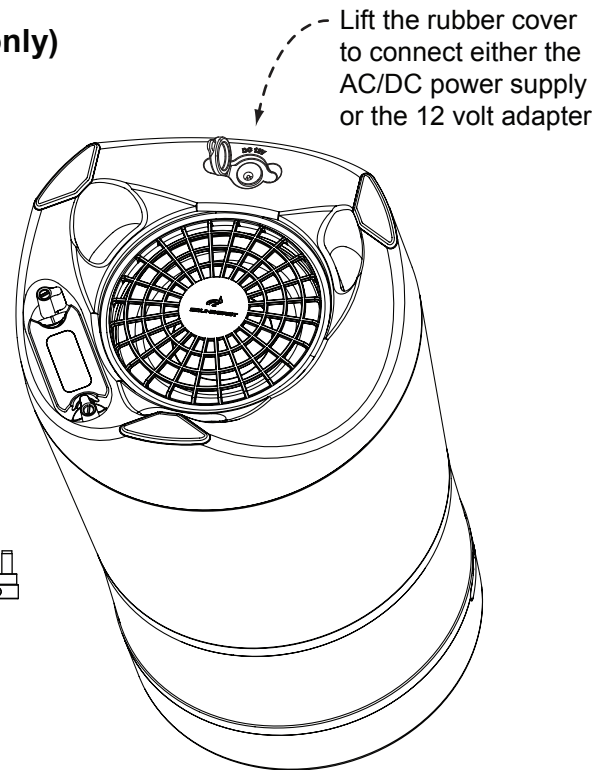
- Plug 12 volt automotive power cable into auto's 12 volt outlet and the DC connector into the Outcast Junior.



12 volt automotive power adapter



AC power cord plugs into AC / DC power supply



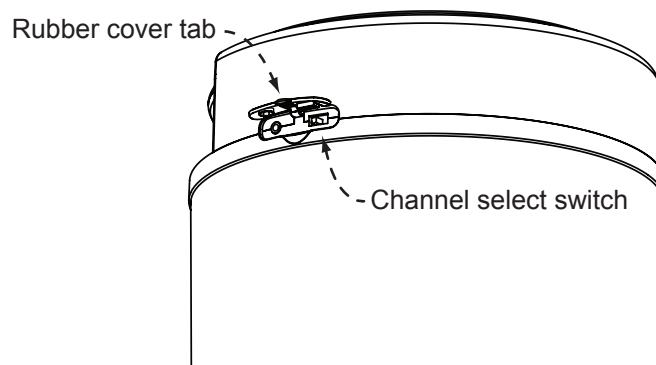
Playing Music on the Outcast Junior

Outcast Junior will play music from two different input sources.

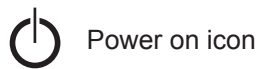
1. Wireless playback from a Soundcast transmitter.
2. Wired playback from the auxiliary input connector located on the Outcast Junior.

Wireless playback from a Soundcast Transmitter

- To setup a transmitter, refer to manual supplied with the Soundcast transmitter.
- Note that each Soundcast transmitter will have a channel selector switch (channel 1, 2 or 3). You will need to set Outcast Junior's channel selector switch to the same channel as the transmitter.
- The Outcast Junior channel selector is located under the rubber cover located on the top left side of the unit. The rubber cover is labeled "Aux in" and "Channel 1 2 3". Open the cover by grabbing the small tab on the bottom of the cover. Gently pull upward, not outward. The cover is secured to unit so take care not to pull the cover off of the unit. Once the cover is in the up position, select the proper channel switch setting to match the transmitter.



- Power on the unit by pressing the power button located on the top keypad.
- A green light will first illuminate and then will change to blue. Light is located on top right side of keypad under an antenna icon.



Power on icon

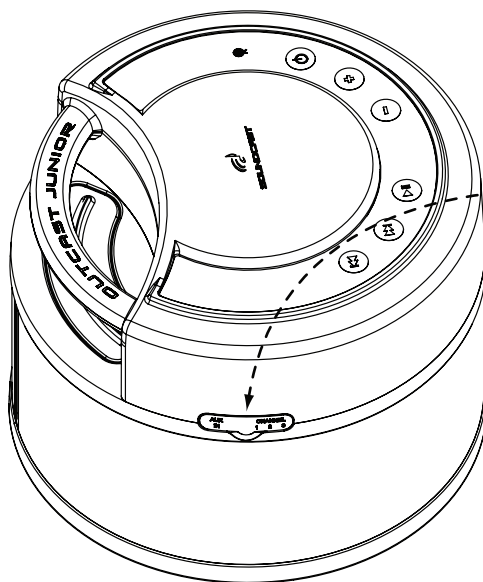


Antenna icon

If the light does not change to blue, then the unit is not linked with the transmitter. Reset channel switch until light changes to blue. If the channels are the same and the unit still does not link, then try a different channel on the transmitter and reset the Outcast Junior to match new switch setting on the transmitter. If the blue link light still does not light up, try moving the unit closer to the transmitter until light turns blue.

Once the channel switch is selected make sure to reseat rubber cover properly into recessed area. Not reseating the cover properly can result in water entering the switch and cause possible unit failures.

If the source audio device is playing during time of power up, after a short delay, the audio will automatically come on at a factory set volume level.



After either selecting the channel or using the auxiliary input, make sure to properly reseat the rubber cover so that it fits snug and is flush with the outer enclosure face.

Keypad functions when using Outcast Junior with Soundcast transmitter.

** Play / pause and track functions will work with iPod when used with iCast transmitter. They will also work with many PC media players when used with USB connection on UAT transmitter. Play / pause and track commands will not work with a MAC computer but audio will play.



Track back **



Power on / off



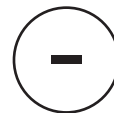
Track forward **



Volume up



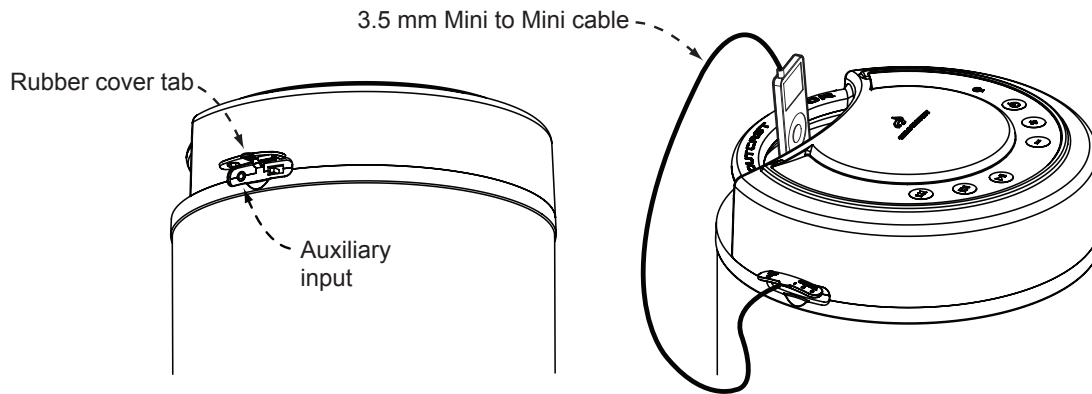
Play / Pause **



Volume down

Wired playback from auxiliary input connector

The Auxiliary input connector is located under the rubber cover located on the top left side of the unit. The rubber cover is labeled “ Aux in and Channel, 1, 2, 3”. Open the cover by grabbing the small tab on the bottom of the cover. Gently pull up, not outward. The cover is secured to the unit so take care not to pull the cover off the unit. Once the cover is in the up position, insert one end of the 3.5mm mini to mini cable into the source unit’s output jack. Insert the other end of the cable into the auxiliary input jack on the Outcast Junior.



Plugging a mini jack into the auxiliary jack on the Outcast Junior disables the wireless function and only music from that local input will play. To return to wireless function, simply unplug the mini jack and reseal the rubber cover into the recessed area.

With the mini jack plugged in, power the unit on by pressing the power button. In this mode a green LED light will illuminate on the top right side of the keypad.



Power on icon



LED light

Turn on the source unit and press play on the source unit.

If your source unit has a volume control, it is recommended that you turn the volume on the source unit up between $\frac{3}{4}$ to full volume. This will allow the volume controls on the Outcast Junior to have a greater range of volume control.

Note: If the music is distorted at low listening levels turn down the source volume until the distortion goes away.

Keypad functions when using Outcast Jr. with auxiliary input.

** When using the auxiliary input on the Outcast Junior, Play / Pause, Track forward and Track backward are all disabled and will not function with the source unit.



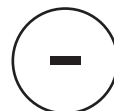
Disabled **



Disabled **



Disabled **



Volume down



Volume up



Power on / off

Setting up 2 Outcast Juniors to play from one transmitter

It is possible to play two Outcast Juniors from one transmitter. They can be configured in two ways:

1. Each unit is an individual stereo unit playing both left and right on each unit
2. Each unit is set as part of a stereo pair (left or right)

Note: This feature is only available when using a wireless transmitter. You can not use this feature when playing from the auxiliary input connector.

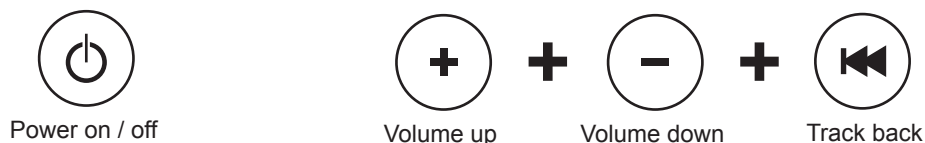
Each unit as an individual stereo unit

To play both Outcast Juniors together, each as individual stereo units, just select the same channel on both Outcast Juniors. Follow the same steps as in the Wireless Playback from a Soundcast Transmitter section.

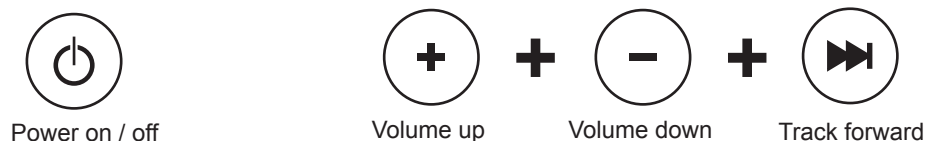
Each unit as part of a stereo pair

To play the two Outcast Juniors as a stereo pair configure as follows: Set each unit to the same channel as the transmitter. Follow the same steps as in the Wireless Playback from a Soundcast Transmitter section.

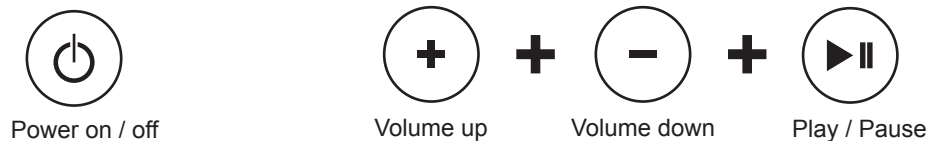
To configure a unit to be a left speaker, press the power button to power the unit on, once the blue link light comes on, immediately press and hold down the “+”, the “-”, and “track back” buttons. The light will illuminate green. You can now release both buttons. The unit is now configured as a left channel only speaker.



To configure a unit to be a right speaker, press the power button to power the unit on, once the blue link light comes on, immediately press and hold down the “+”, the “-”, and “track forward” buttons. The light will illuminate green. You can now release both buttons. The unit is now configured as a right channel only speaker.



To configure a unit back to a stereo unit, press the power button to power the unit on, once the blue link light comes on, immediately press and hold down the “+”, the “-”, and “play / pause” buttons. The light will illuminate green. You can now release both buttons. The unit is now configured as a stereo speaker.



Note: Configuration change mode will only be active for 15 seconds after turning the unit on. After 15 seconds you will need to turn the unit off and then on again to re-enter the configuration change mode. Once the unit has been changed to left, right, or stereo, the unit will remember the last setting when it is powered off. So you do not have to repeat any steps unless you want to change the configuration to something different than the last setting.

Information to User

This device complies with Part 15 of the FCC Rules. Operation is subject to the following two conditions: (1) This device may not cause harmful interference, and (2) This device must accept any interference received, including interference that may cause undesired operation.

This equipment has been tested and found to comply with the limits for Class B Digital Device, pursuant to Part 15 of the FCC Rules. These limits are designed to provide reasonable protection against harmful interference in a residential installation. This equipment generates and can radiate radio frequency energy and, if not installed and used in accordance with the instructions, may cause harmful interference to radio communications. However, there is no guarantee that interference will not occur in a particular installation. If this equipment does cause harmful interference to radio or television reception, which can be determined by turning the equipment off and on, the user is encouraged to try to correct the interference by one or more of the following measures.

- Reorient or relocate the receiver or transmitter
- Increase the separation between the equipment and receiver
- Connect the equipment into an outlet on a circuit different from that to which the receiver is connected
- Consult the dealer or an experienced radio/TV technician for help

Any changes or modifications not expressly approved by the party responsible for compliance could void the user's authority to operate the equipment.

USA & Canada Warranty

Soundcast Systems warrants to the end user ("Customer") that the hardware product will be free from defects in workmanship and materials, under normal use and service, for the following length of time from the date of purchase from Soundcast or an authorized retailer: One (1) year.

Soundcast Systems' sole obligation under this express warranty shall be, at its option and expense, to repair the defective product or part, or deliver to customer an equivalent product or part to replace the defective item.

Replacement products may be new or refurbished. Soundcast Systems warrants any replaced or repaired product or part for a period of ninety (90) days from shipment, or the remainder of the initial warranty period, whichever is longer.

In no case shall Soundcast Systems be responsible for damage to any connected audio equipment resulting from misuse, abuse, neglect, improper installation or testing, unspecified applications, modification, alteration of or tampering with Soundcast products.

If you need warranty service on your Soundcast products

All warranty returns should be sent to Soundcast's Warranty Repair Service Center freight prepaid through the original selling retailer and must be accompanied by a copy of the original sales receipt. Direct returns from consumers will also be accepted, but only if accompanied by a Return Merchandise Authorization number (RMA) issued by Soundcast in advance of any shipment to the Soundcast Warranty Repair Center. Units returned without an RMA number to Soundcast may be subject to refusal or significant delays. Please ship the authorized return to Soundcast within 15 days of the issuance of the RMA. Repaired or replacement units will be shipped to you at Soundcast's expense. Any units with no trouble found will be shipped to you freight collect. Soundcast will give you the proper return address when the RMA is issued.

For warranty service please contact: **Soundcast Systems**
Warranty Claim Department
San Diego, California
US only 1-800-722-1293
customersupport@soundcastsystems.com
www.soundcastsystems.com